



# INSTALLATION INSTRUCTIONS

Part Number PL-1001

**This filter fits:** SEE CATALOG FOR CURRENT APPLICATIONS

Congratulations, you have purchased the finest air filter that money can buy. With proper care, this filter can last many seasons. This filter can be used in a stock machine, with no modifications required. If any engine modifications have been made tuning/jetting adjustments may be required. There are special installation instructions, so please follow the procedures outlined below to ensure the K&N Filtercharger® seals properly.

## INSTALLATION

1. Remove the stock air filter.
2. Carefully clean the inside of the air box where the gaskets will be applied. (Fig. 1)
3. Apply the two provided gaskets to the air box base and air box lid. (Fig. 1)
4. Apply a thin layer of the provided K&N Sealing Grease to the sealing ends of the K&N Filtercharger®. (Fig. 1)
5. Install the K&N Filtercharger® into the air box.
6. Reinstall the air box lid making sure the K&N Filtercharger® is completely seated.

**THESE INSTRUCTIONS MUST BE FOLLOWED EVERY TIME THE FILTER IS SERVICED, OTHERWISE THE FILTER MAY NOT SEAL, AND DAMAGE TO THE ENGINE COULD RESULT.**

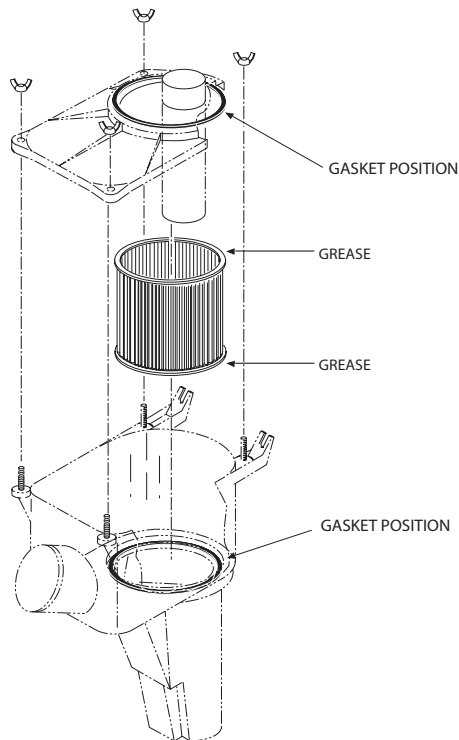


Fig. 1