



AIRCHARGER™

HIGH-FLOW INTAKE KITS



INSTALLATION INSTRUCTIONS

63-1124

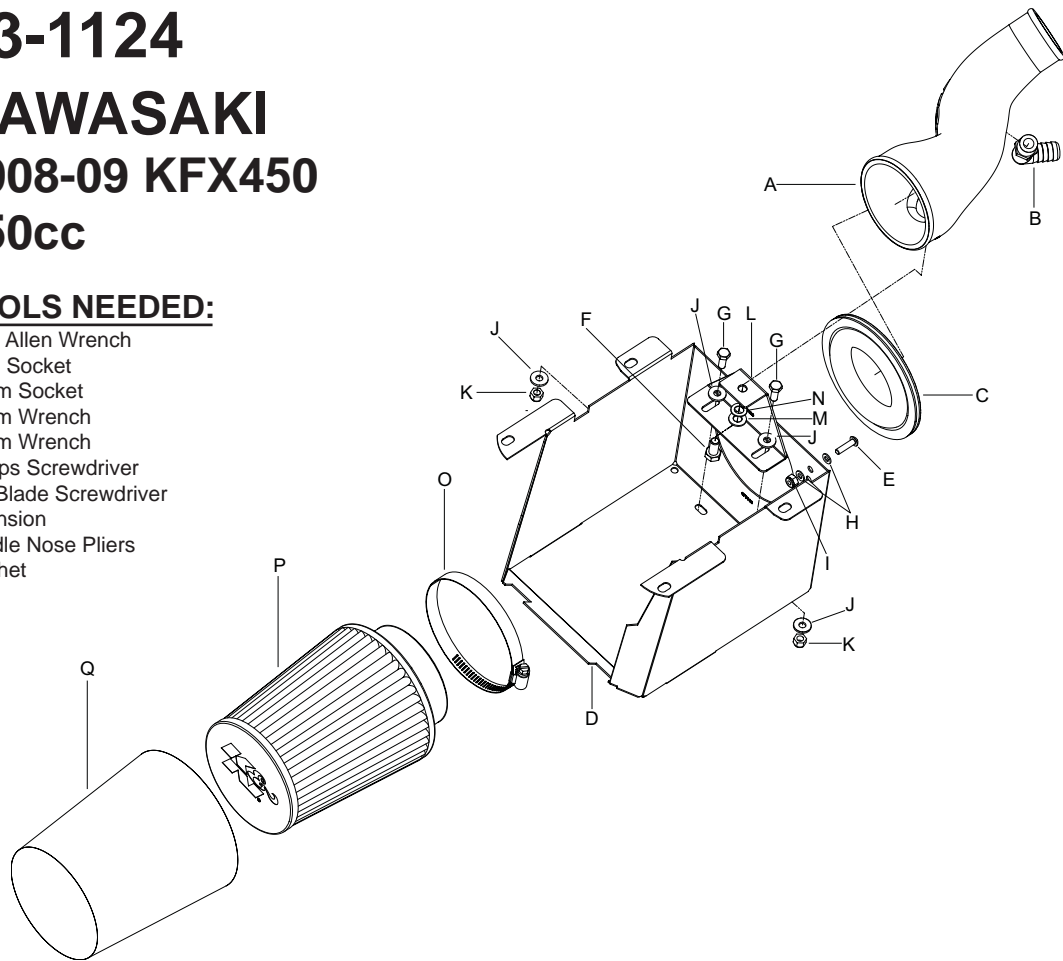
KAWASAKI

2008-09 KFX450

450cc

TOOLS NEEDED:

- 3mm Allen Wrench
- 8mm Socket
- 10mm Socket
- 10mm Wrench
- 13mm Wrench
- Phillips Screwdriver
- Flat Blade Screwdriver
- Extension
- Needle Nose Pliers
- Ratchet



PARTS LIST:

Description	Qty.	Part #
A Intake Tube	1	087146
B Vent; 90°, 5/8"HOSE, 3/8"NPT, White Plastic	1	08045
C Edge Trim (15")	1	102474
D Heat Shield	1	073105
E Bolt; M5-0.8 X 20MM, Buttonhead, SS	1	22208
F Bolt; 8MM-1.25 X 16MM, Hexhead	1	07844
G Bolt; 6MM-1.00 X 16MM, SS	2	07812
H Washer; 5MM Flat, SS	2	08212
I Nut; M5 - 0.8, Nylock, SS	1	07507
J Washer; 1/4"ID X 5/8"OD - SAE	4	08275
K Nut; 6MM Nylock, Hexhead, SS	2	07512
L BRACKET; "C", STL, TK/PC	1	070120
M Washer; 5/16"ID X 5/8"OD, Flat	1	08276
N Washer; 8MM Spring (Wave)	1	08239
O Hose Clamp# 60	1	08624
P Air Filter	1	RC-4630XD
Q Drycharger® Wrap; RC-4630, Black	1	RC-4630DK

NOTE: The K&N® Drycharger® included with this kit must be installed on the K&N® air filter because of the harsh terrain conditions these vehicles are intended to operate in. Please be aware the Drycharger® is water repellent, not water proof. The K&N® high flow intake system is a performance product that can be used safely during mild and inclement weather conditions if used as directed. Failure to follow these instructions can void your warranty.

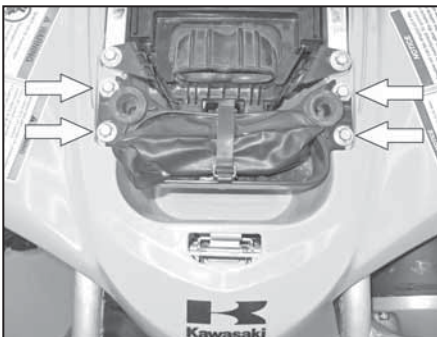
NOTE: FAILURE TO FOLLOW INSTALLATION INSTRUCTIONS AND NOT USING THE PROVIDED HARDWARE MAY DAMAGE THE INTAKE TUBE, THROTTLE BODY AND ENGINE.

TO START:

1. Turn off the ignition and disconnect the negative battery cable..

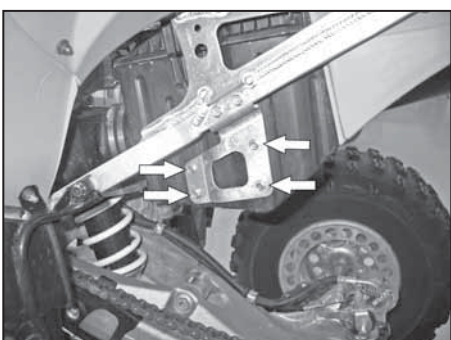


2. Unlock the seat and remove it from the vehicle.



3. Remove the four bolts which secure the tool tray. Then remove the tool tray from the vehicle.

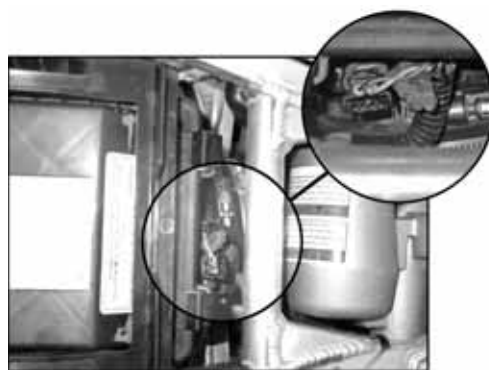
NOTE: This tool tray will be reinstalled later.



4. Remove the eight bolts which secure the factory air box to the frame side mounts, there are four bolts on the left side and four bolts on the right side of the air box.



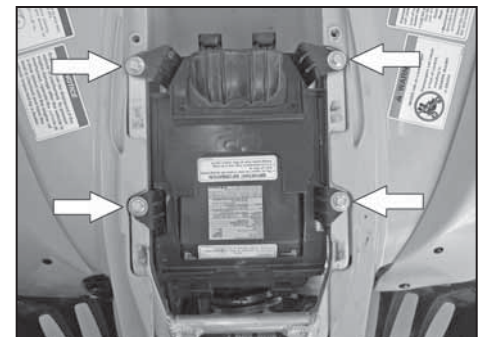
5. Remove the four bolts which secure the air box mounting bracket to the frame and then remove the brackets, there are two bolts holding each bracket.



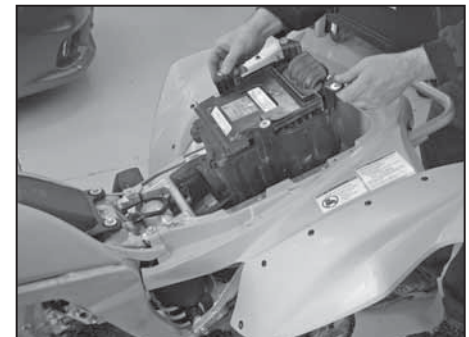
6. Remove the screw which secures the inlet air temperature sensor to the air box. Then remove the air temperature sensor from the air box.



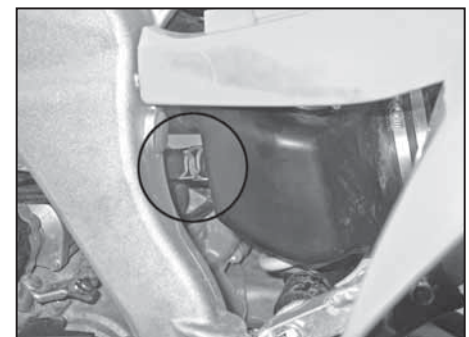
7. Loosen the hose clamp which secures the stock intake tube to the factory air box.



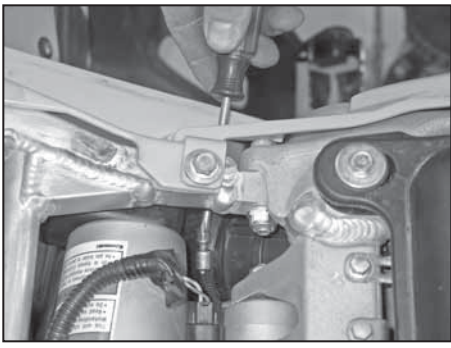
8. Remove the four bolts securing the air box to the frame.



9. Remove the factory air box from the vehicle.

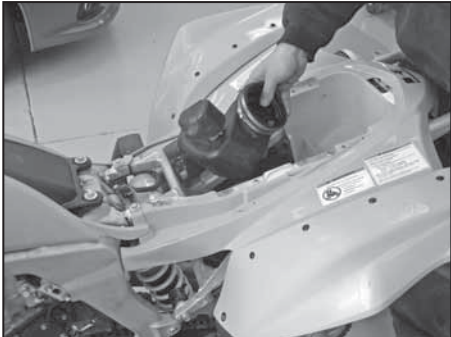


10. Release the spring clamp securing the crank case vent line to the intake resonator chamber and then disconnect the crank case vent line.



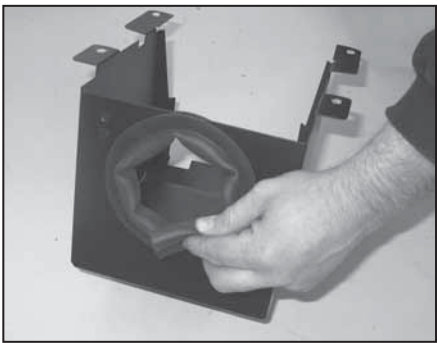
11. Loosen the hose clamp which secures the intake resonator to the stock intake hose.

NOTE: It may be necessary to loosen the body work to gain access to the hose clamp.



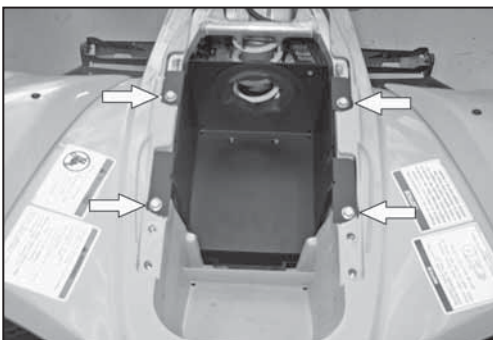
12. Remove the intake resonator from the vehicle.

NOTE: K&N Engineering, Inc., recommends that customers do not discard factory air intake.



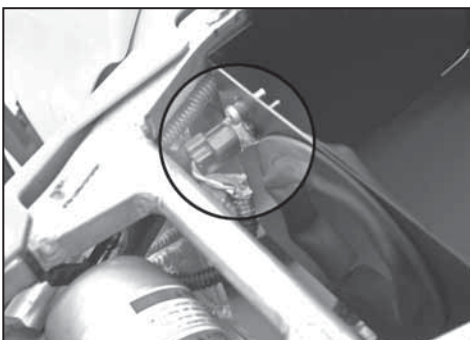
13. Install the provided edge trim into the heat shield as shown.

NOTE: Some trimming of the edge trim will be necessary.

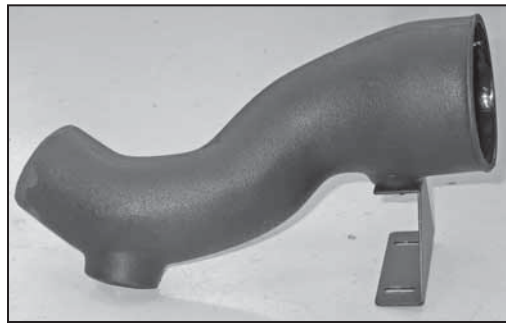


14. Install the K&N® air box into the chassis and secure with the factory air box mounting bolts.

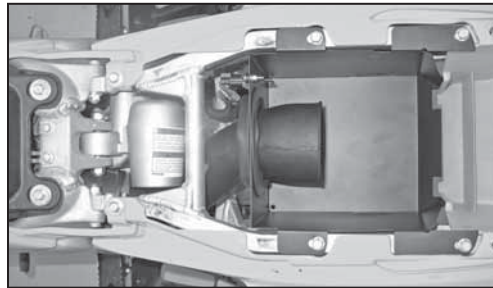
NOTE: Due to manufacturing tolerances, the air box may be a tight fit passing through the frame rails.



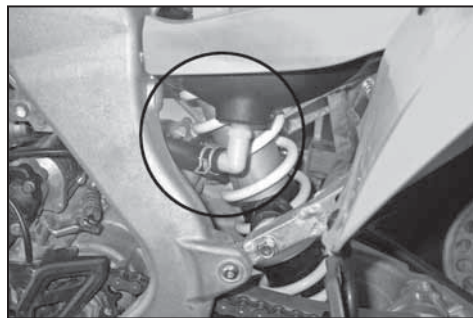
15. Install the air temperature sensor into the heat shield and secure with the provided hardware.



16. Install the provided tube mounting bracket (070120) onto the K&N® intake tube and secure with the provided hardware.



17. Install the K&N® intake tube through the heat shield into position. Be patient and take your time, it is a tight fit but it will fit. It may be helpful to loosen the heat shield while installing the intake tube. Secure the intake tube to the factory intake hose with the factory clamp. Secure the tube bracket to the air box with the provided hardware.



18. Install the 90° vent fitting into the K&N® intake tube as shown. Then connect the factory crank case vent hose to the fitting and secure with the factory clamp.

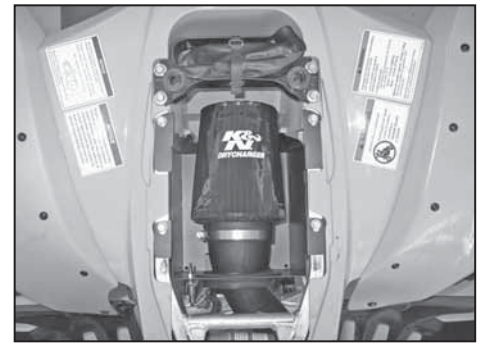


19. Install the provided K&N® Drycharger® onto the K&N® air filter as shown.

NOTE: Please be aware the Drycharger® is water repellent, not water proof. Depending on conditions and usage the water repellent treatment is good for 1 to 2 years. See the parts list to reorder a new Drycharger® if necessary.



20. Install the K&N® air filter assembly onto the intake tube and secure with the provided hose clamp.



21. Reinstall the factory tool tray and secure using the factory hardware.



22. Reinstall the seat.

23. Double check to make sure everything is tight and properly positioned before starting the vehicle.

24. It will be necessary for all K&N® high flow intake systems to be checked periodically for realignment, clearance and tightening of all connections. Failure to follow the above instructions or proper maintenance may void warranty.

ROAD TESTING:

1. Start the engine with the transmission in neutral or park. Listen for air leaks or odd noises. For air leaks secure hoses and connections. For odd noises, find cause and repair before proceeding. This kit will function identically to the factory system except for being louder and much more responsive.

2. Test drive the vehicle. Listen for odd noises or rattles and fix as necessary.

3. If road test is fine, you can now enjoy the added power and performance from your kit.

4. K&N Engineering, Inc., requires cleaning the intake system's air filter element periodically for excessive dirt build-up. When used in harsh terrain conditions or off-road environments, our filters will require cleaning more often. We recommend that you visually inspect your filter more frequently when used in harsh terrain conditions to determine if the screen is still visible. When the screen is no longer visible some place on the filter element, it is time to clean it. To clean and re-oil, purchase our filter Recharger® service kit, part number 99-5050 or 99-5000 and follow the easy instructions.

STREET LEGAL IN MOST STATES

**NOT LEGAL FOR USE IN CA & OTHER STATES
ADOPTING CA EMISSIONS STANDARDS**

See our catalog or knfilters.com for CARB status on each part for a specific vehicle

* FREE K&N® decal To register your warranty, please see us online at knfilters.com/register. FREE K&N® decal *