



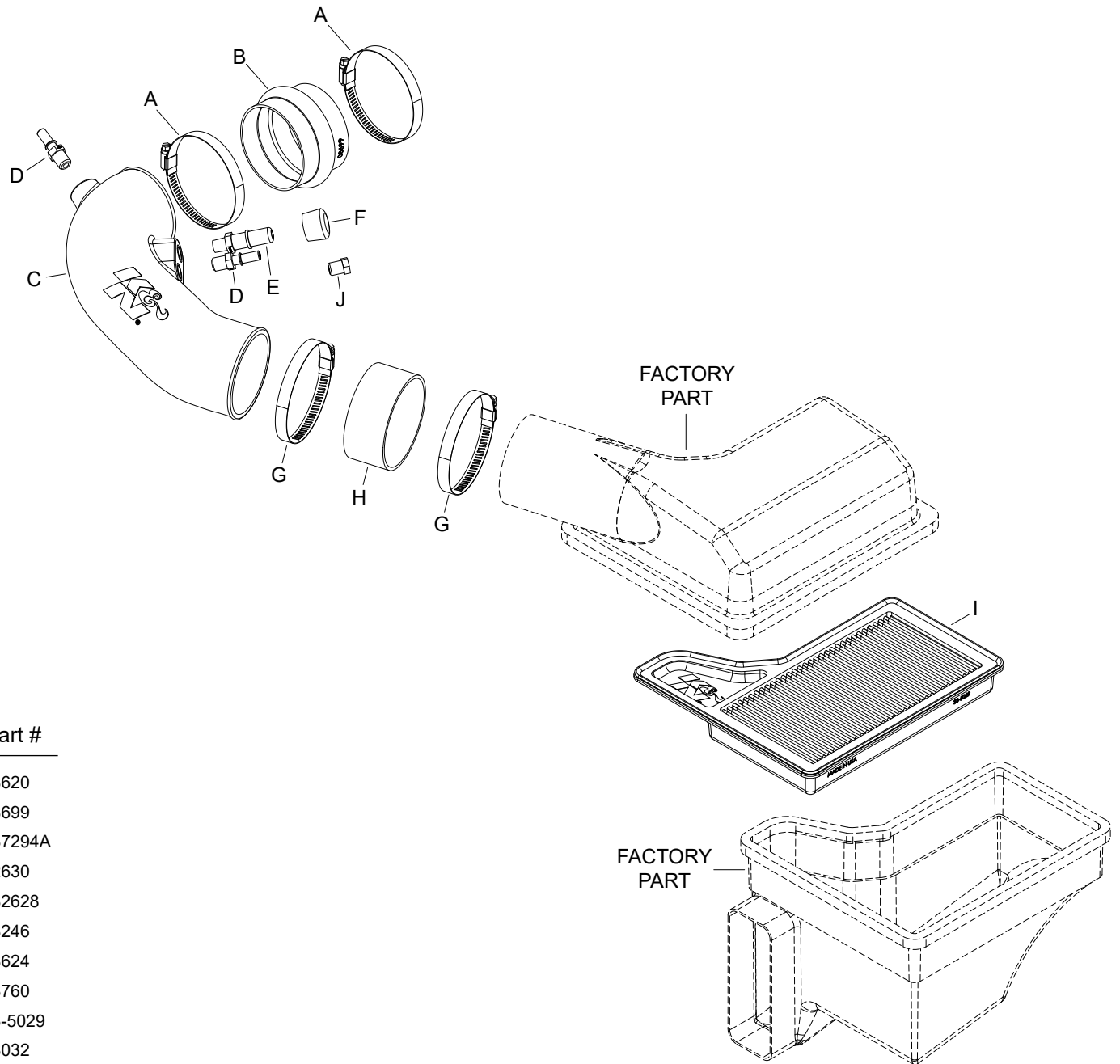
INTAKE SYSTEMS FOR VEHICLES LISTED ARE 50 STATE LEGAL. SEE KNFILTERS.COM FOR CARB STATUS ON EACH PART FOR A SPECIFIC VEHICLE.

INSTALLATION INSTRUCTIONS

57-2590
FORD
2015 Mustang GT
V8-5.0L

TOOLS NEEDED:

- Flat blade screw driver
- Pliers
- 5/8" wrench
- 3/4" wrench



PARTS LIST:

Description	Qty.	Part #
A HOSE CLAMP #56	2	08620
B HOSE; 3-1/2" ID X 2-1/2"L HUMP	1	08699
C INTAKE TUBE JZ	1	087294A
D VENT; STRT, 1/4" NPT	2	82630
E VENT; 1/4" NPT TO QUICK	1	082628
F CAPLUG; 15/16"ID, 3/4" L, BLK	1	08246
G HOSE CLAMP #60	2	08624
H HOSE; 3-3/4" ID X 2"L	1	08760
I AIR FILTER	1	33-5029
J PLUG; 1/4" NPT	1	08032

If you need any assistance please call 1-800-858-3333 to speak with a representative in our Customer Service Center before returning the product.

NOTE: FAILURE TO FOLLOW INSTALLATION INSTRUCTIONS AND NOT USING THE PROVIDED HARDWARE MAY DAMAGE THE INTAKE TUBE, THROTTLE BODY AND ENGINE.

TO START:

1. Turn off the ignition and disconnect the negative battery cable.

NOTE: Disconnecting the negative battery cable erases pre-programmed electronic memories. Write down all memory settings before disconnecting the negative battery cable. Some radios will require an anti-theft code to be entered after the battery is reconnected. The anti-theft code is typically supplied with your owner's manual. In the event your vehicles anti-theft code cannot be recovered, contact an authorized dealership to obtain your vehicles anti-theft code.



2. Lift up the engine cover to unhook it from its mounts, slide the engine cover from under the strut tower brace and remove it from the vehicle.



3. Disconnect the Idle by-pass, EVAP vent line and the crank case vent line from the factory intake tube.

NOTE: Some vehicles are not equipped with the EVAP vent hose.



4. Using pliers, squeeze the spring clamp securing the sound tube to the factory intake tube and disconnect the sound tube.



5. Cut the clamp securing the sound tube to the sound drum and then disconnect the sound tube.



6. Install the provided cap onto the sound drum as shown.



7. Loosen the hose clamp securing the intake tube to the throttle body.



8. Release the red locking tap on the underside of the MAF electrical connector and then disconnect the MAF electrical connection.



9. Release the two clips securing the air box lid and then remove the lid/intake tube assembly and the factory air filter.

NOTE: K&N Engineering, Inc., recommends that customers do not discard factory air intake.



10. Install the K&N® air filter into the lower air filter housing.



11. Loosen the hose clamp and then remove the factory intake tube from the upper air filter housing.



12. Reinstall the upper air filter housing onto the lower housing and secure with the factory retaining clips.



13. Install the provide hump coupler (08699) onto the throttle body and secure with the provided hose clamp.



14. Install the provided coupling hose (08760) onto the air filter housing and secure with the provided hose clamp then reconnect the mass air sensor electrical connection.



15. Install the three quick disconnect fittings into the K&N® intake tube as shown.

NOTE: On vehicles not equipped with an EVAP line, install the provided NPT plug #08032 onto the K&N® intake tube.

NOTE: Plastic NPT fittings are easy to cross thread. Install the vent fitting "hand" tight, then turn it two complete turns with a wrench.



16. Install the K&N® intake tube into the hump hose at the throttle body and then into the coupling hose on the upper air box housing. Secure the hoses with the provided hose clamps.



17. Connect the crank case vent and EVAP vent lines to the quick disconnect fittings installed into the K&N® intake tube as shown.



18. Connect the idle by-pass vent line to the quick disconnect fitting installed into the K&N® intake tube as shown.



19. Reinstall the Engine cover onto its mounting studs.

20. Reconnect the vehicle's negative battery cable. Double check to make sure everything is tight and properly positioned before starting the vehicle.

21. The C.A.R.B. exemption sticker, (attached), must be visible under the hood so that an emissions inspector can see it when the vehicle is required to be tested for emissions. California requires testing every two years, other states may vary.

22. It will be necessary for all K&N® high flow intake systems to be checked periodically for realignment, clearance and tightening of all connections. Failure to follow the above instructions or proper maintenance may void warranty.

ROAD TESTING:

1. Start the engine with the transmission in neutral or park, and the parking brake engaged. Listen for air leaks or odd noises. For air leaks secure hoses and connections. For odd noises, find cause and repair before proceeding. This kit will function identically to the factory system except for being louder and much more responsive.

2. Test drive the vehicle. Listen for odd noises or rattles and fix as necessary.

3. If road test is fine, you can now enjoy the added power and performance from your kit.

4. K&N Engineering, Inc., requires cleaning the intake system's air filter element every 100,000 miles. When used in dusty or off-road environments, our filters will require cleaning more often. We recommend that you visually inspect your filter once every 25,000 miles to determine if the screen is still visible. When the screen is no longer visible some place on the filter element, it is time to clean it. To clean and re-oil, purchase our filter Recharger® service kit, part number 99-5050 or 99-5000 and follow the easy instructions.

INTAKE SYSTEMS FOR VEHICLES LISTED ARE 50 STATE LEGAL. SEE KNFILTERS.COM FOR CARB STATUS ON EACH PART FOR A SPECIFIC VEHICLE.