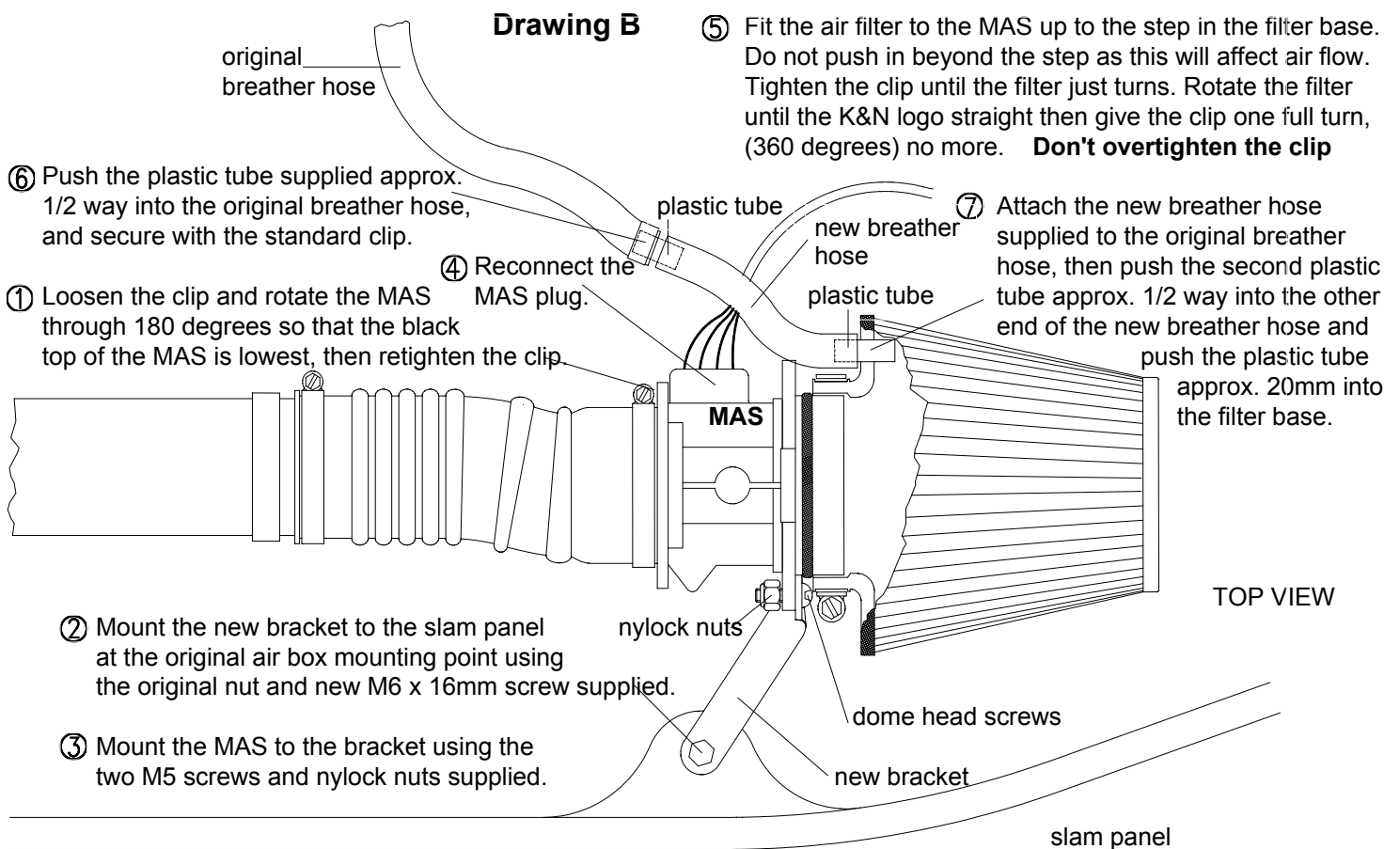
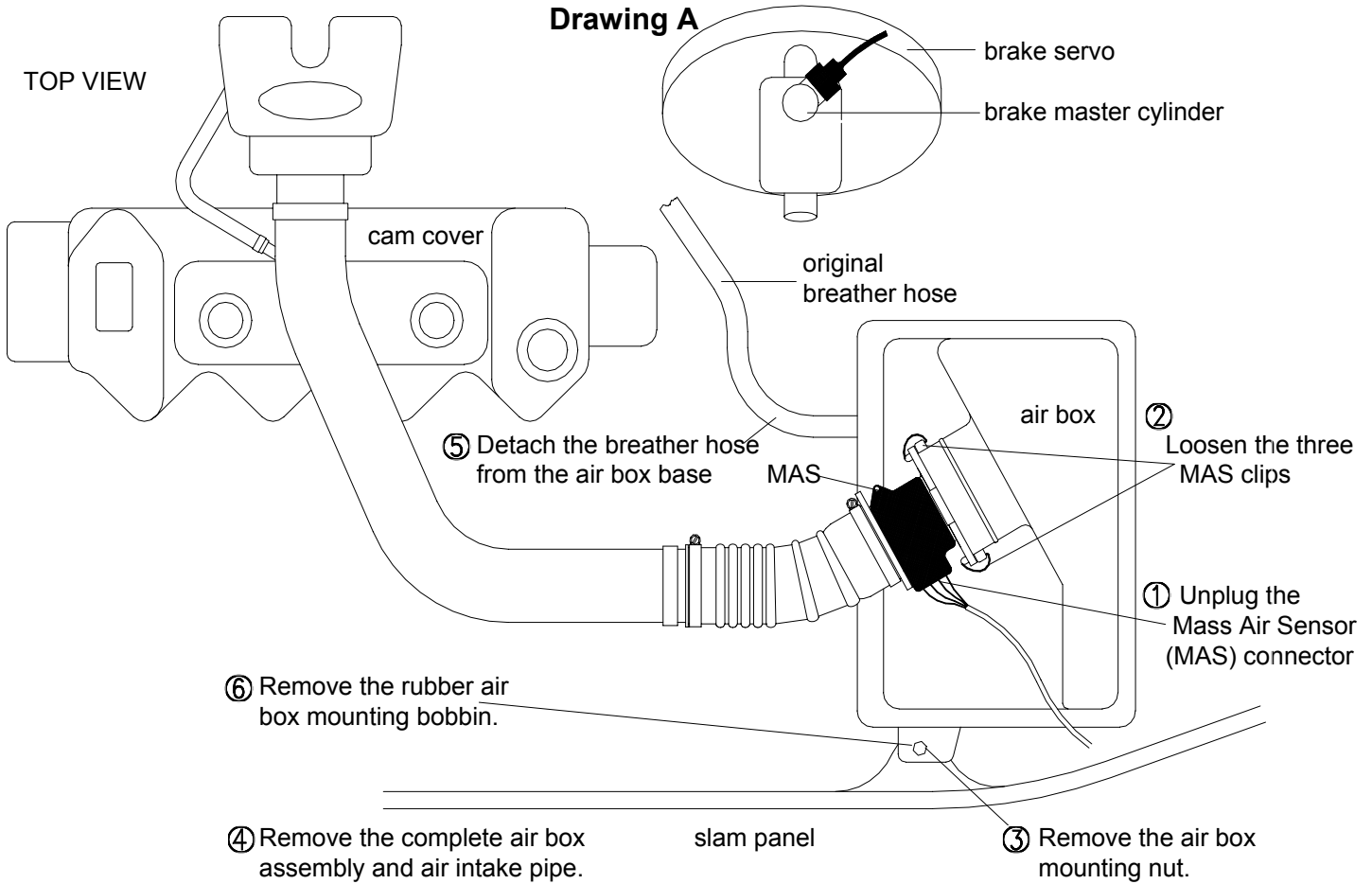


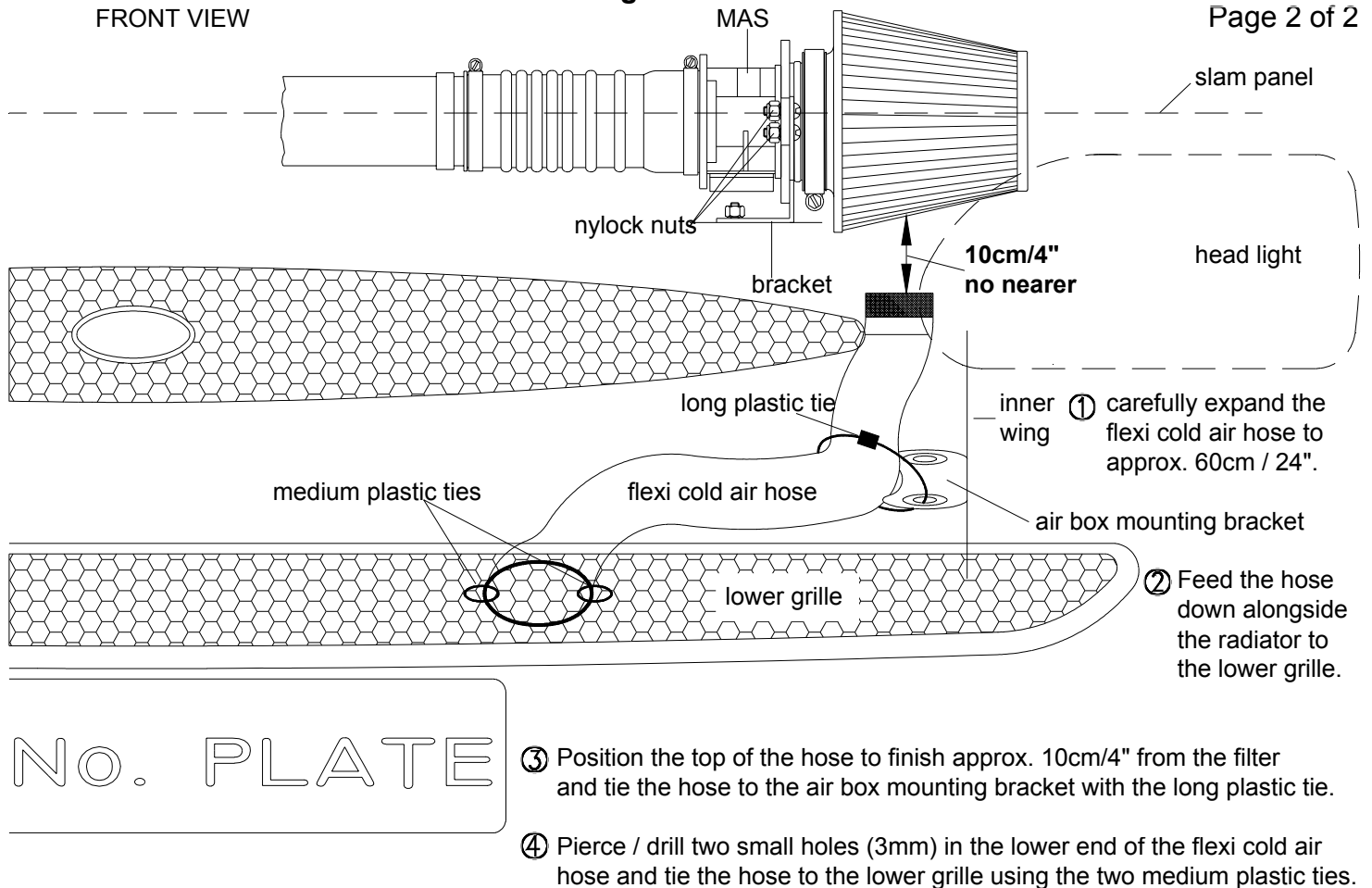
**PLEASE READ THESE INSTRUCTIONS CAREFULLY BEFORE FITTING THIS KIT**

**If you have a problem, however small, call our Technical Department**

Tel:- 01925 636950. Fax:- 01925 418948. Monday to Friday 9am - 5pm



FRONT VIEW



NO. PLATE

**Tuning.****CAT. Cars** No adjustments required

An increase in fuel mixture may be required if further modifications are carried out.

**Filter Maintenance.**

Under normal conditions clean and reoil the filter at approx. 40,000 miles / 65,000km.

**Use only K&N cleaner and oil** and follow the instructions carefully.**K&N filters are pre-oiled ready to fit****The advantage of K&N's cold air intake system.**

Cooler air being denser, will show positive improvements in power over filter systems that draw hot air from the engine bay.

This Kit Should Contain:

**FITTING YOUR OWN 57i KIT**

- 1 x Clamp On Filter
- 1 x Hose Clip #60
- 1 x Cold Air Hose Assembly
- 1 x Breather Hose
- 1 x Bracket
- 1 x Instruction Sheet
- 1 x Instruction Pack :-
  - 1 x K&N Window Sticker
  - 1 x Filter Maintenance Sheet
  - 1 x Million Mile Warranty
  - 1 x Leaflet
- 1 x Fixing Kit containing:-
  - 2 Small Plastic Tubes
  - 2 x M5 x 15mm Dome head Screws
  - 2 x M5 Nylock Nuts
  - 1 x M6 x 16mm Hex Head Screw
  - 1 x Long Cable Tie
  - 2 x Medium Cable Ties

If **not it is essential** that the person fitting the kit (e.g. mechanic) **carefully follows these particular instructions** even if he has fitted K&N kits before. This will save you both time and money. kits incorrectly fitted may show a loss in performance e.g. the positioning of the essential cold air hose, (flexi expandable and rubber hoses are used).

**A final check** under the bonnet, by yourself with the instructions, would seem sensible