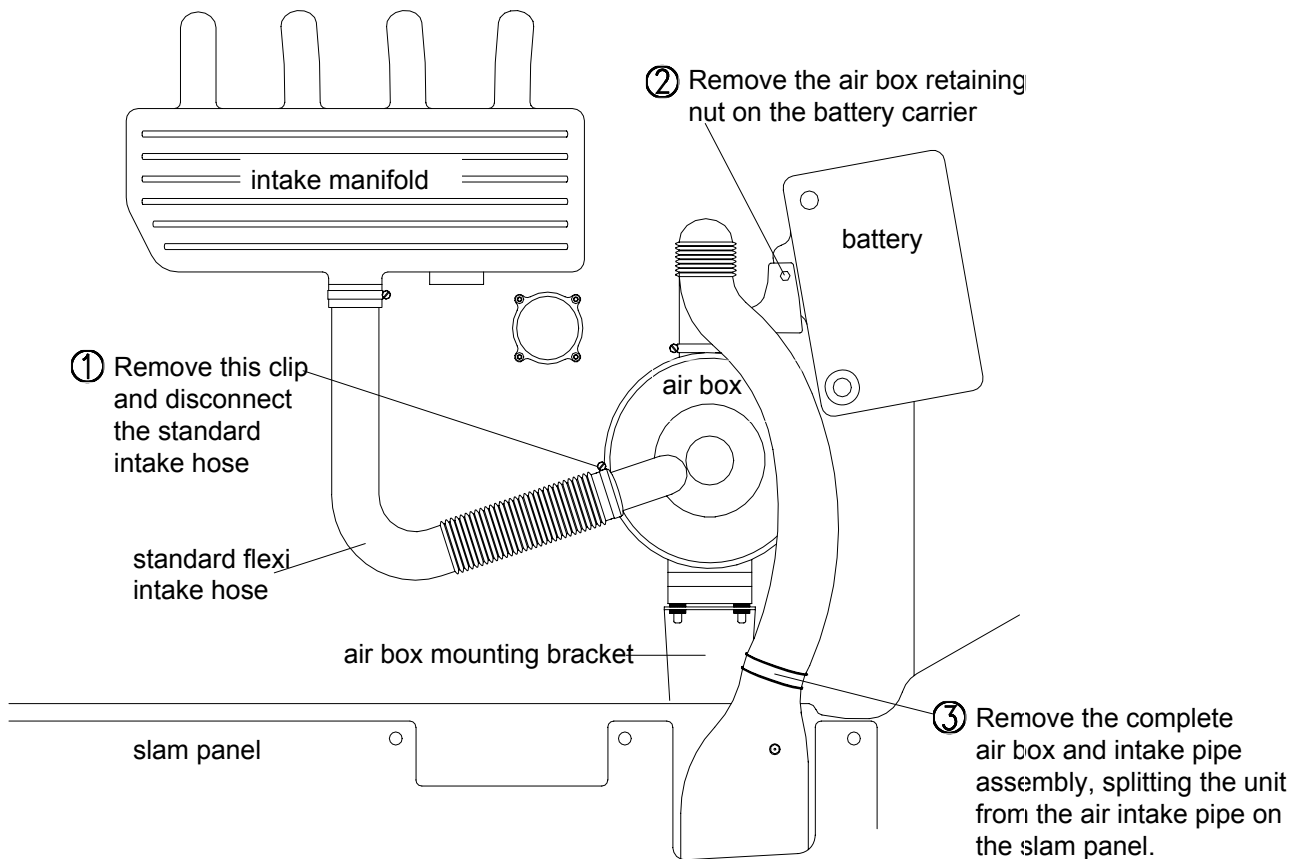


PLEASE READ THESE INSTRUCTIONS CAREFULLY BEFORE FITTING THIS KIT

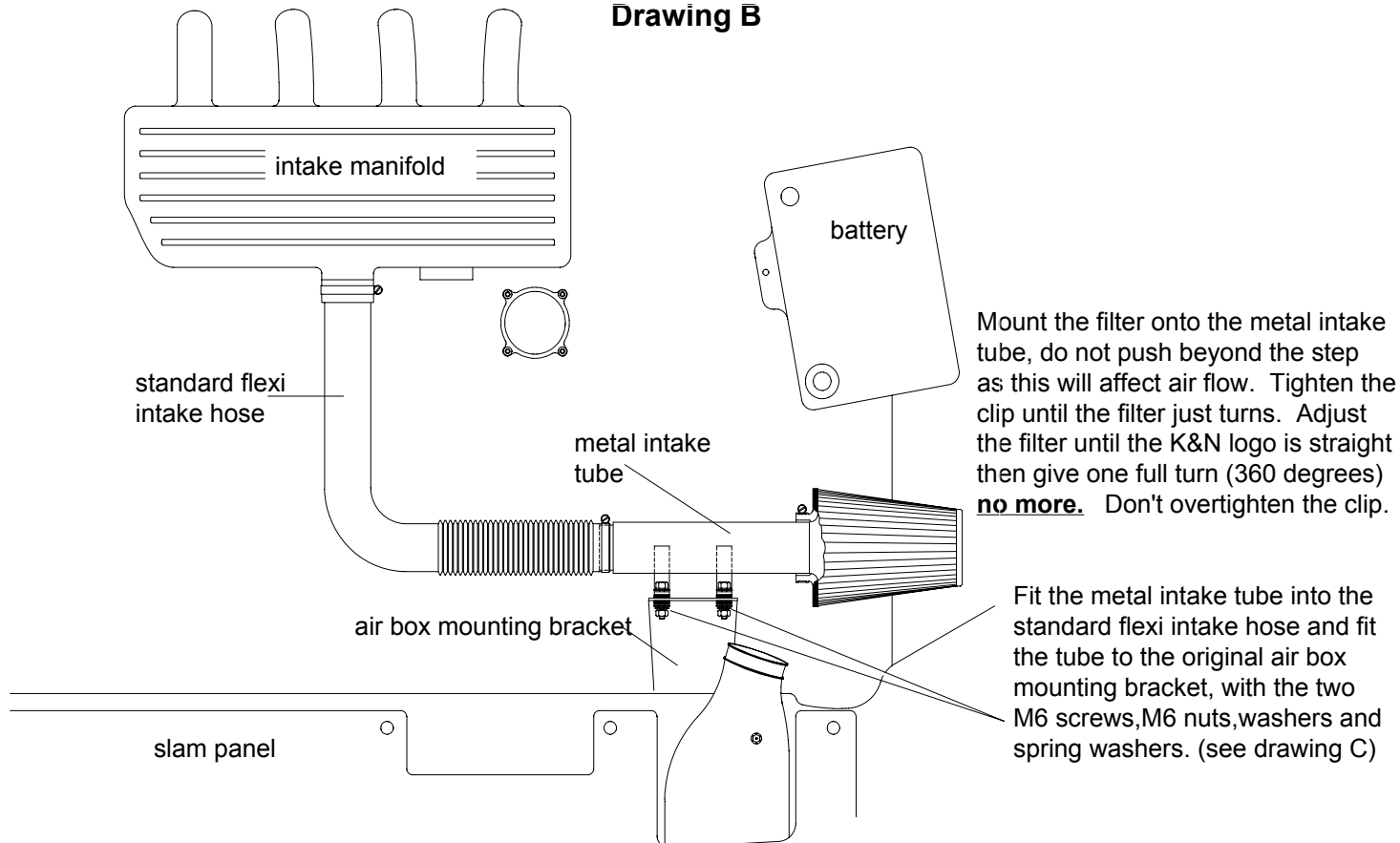
If you have a problem, however small, call our Technical Department

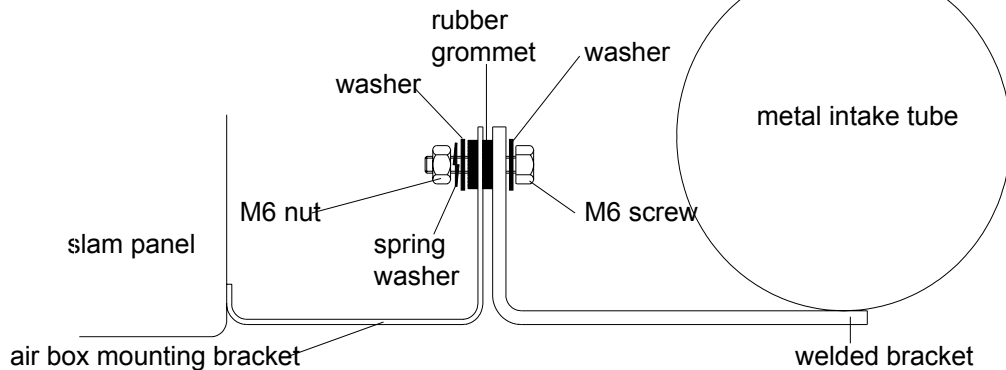
Tel:- 01925 636950. Fax:- 01925 243111. Mon - Thurs 8.30 - 5pm.

Drawing A



Drawing B





Drawing D

-
- ① Raise the front of the car **taking all the necessary safety precautions**
 - ② Carefully expand the flexi cold air hose to approx. 60cm/24"
 - ③ Feed the hose down between the gearbox and radiator to finish at the lower edge of the bumper.
 - ④ Ovalise the front of the cold air hose and pierce/drill a small hole (3mm) in the end of the hose and the rubber bumper skirt.
 - ⑤ Tie the cold air hose to the skirt, Using the small tie supplied.
 - ⑥ Tie the cold air hose to the radiator base using a long tie.
 - ⑦ Position the top end of the cold air hose to finish approximately **10cm / 4" (no nearer)** from the filter and tie in place using a long tie supplied

Tuning.

CAT. Cars No adjustments required

An increase in fuel mixture may be required if further modifications are carried out.

Filter Maintenance.

Under normal conditions clean and reoil the filter at approx. 40,000 miles / 65,000km.

Use only K&N cleaner and oil and follow the instructions carefully.

K&N filters are pre-oiled ready to fit

The advantage of K&N's cold air intake system.

Cooler air being denser, will show positive improvements in power over filter systems that draw hot air from the engine bay.

This Kit Should Contain:

- 1 x Air Filter
- 1 x Hose Clip #44
- 1 x Metal Intake Tube
- 1 x Cold Air Hose Assembly
- 1 x Instruction Sheet

1 x Instruction Pack :-

- 1 x Filter Maintenance Sheet
- 1 x K&N window sticker
- 1 x Million Mile Warranty
- 1 x Leaflet

1 x Fixing Kit containing:-

- 1 x Hose Clip size #40
- 2 x M6 Nuts
- 2 x M6 x 25mm Screws
- 2 x 6mm Spring Washers
- 4 x M6 x 25mm Washers
- 1 x Cable Ties (10cm long)
- 2 x Cable Ties (35cm long)

FITTING YOUR OWN 57i KIT

If not **it is essential** that the person fitting the kit (e.g. mechanic) **carefully follows these particular instructions** even if he has fitted K&N kits before. This will save you both time and money. kits incorrectly fitted may show a loss in performance e.g. the positioning of the essential cold air hose, (flexi expandable and rubber hoses are used).

A final check under the bonnet, by yourself with the instructions, would seem sensible